

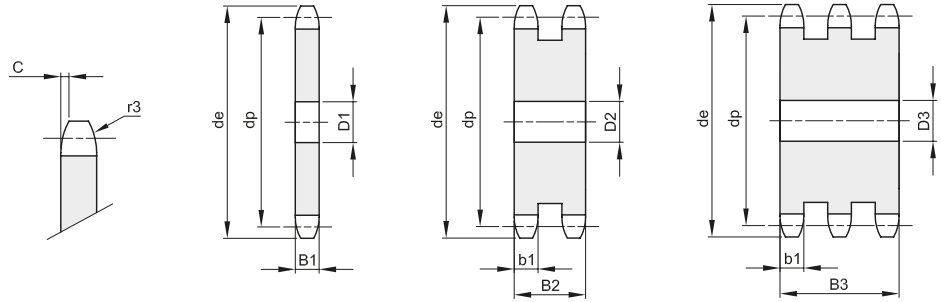


# CORONE PER CATENE A RULLI - DIN 8187 - ISO 606

## PLATE WHEELS FOR ROLLER CHAINS - DIN 8187 - ISO 606

**1"3/4 x 1"1/4**  
**44,45 x 30,99 mm**  
 Rullo 27,94 mm  
**28B - 1 - 2 - 3**

B1	B2	B3	b1	C	r3
29,4	88,4	148	28,8	5	44



Z	de	dp	semplici			doppi			tripli		
			codice	D1	Kg.	codice	D2	Kg.	codice	D3	Kg.
8	132,0	116,15	201440008	20	1,71	202440008	25	4,01	203440008	25	6,39
9	146,0	129,96	201440009	20	2,26	202440009	25	5,48	203440009	25	8,80
10	160,0	143,85	201440010	20	2,88	202440010	25	7,17	203440010	25	11,56
11	174,0	157,77	201440011	25	3,53	202440011	30	8,92	203440011	30	14,44
12	188,0	171,74	201440012	25	4,29	202440012	30	11,04	203440012	30	17,93
13	204,0	185,75	201440013	25	5,12	202440013	30	13,38	203440013	30	21,79
14	218,0	199,76	201440014	25	6,03	202440014	30	15,94	203440014	30	26,02
15	232,0	213,79	201440015	25	7,01	202440015	30	18,72	203440015	30	30,61
16	246,0	227,84	201440016	30	8,02	202440016	30	21,71	203440016	30	35,57
17	260,0	241,90	201440017	30	9,14	202440017	30	24,92	203440017	30	40,89
18	274,0	255,98	201440018	30	10,34	202440018	30	28,36	203440018	30	46,58
19	289,0	270,06	201440019	30	11,61	202440019	30	32,00	203440019	30	52,64
20	303,0	284,15	201440020	30	12,95	202440020	30	35,87	203440020	30	59,06
21	317,0	298,24	201440021	30	14,37	202440021	30	39,96	203440021	40	65,20
22	331,0	312,34	201440022	30	15,86	202440022	30	44,26			
23	345,0	326,44	201440023	30	17,42	202440023	30	48,78	203440023	40	79,87
24	359,0	340,55	201440024	30	19,05						
25	373,0	354,66	201440025	30	20,76	202440025	30	58,50	203440025	40	95,99
26	387,0	368,77	201440026	30	22,54	202440026	40	63,28			
27	401,0	382,88	201440027	30	24,39						
28	416,0	397,00	201440028	30	26,32	202440028	40	74,29			
30	444,0	425,24	201440030	30	30,38	202440030	40	86,17	203440030	40	142,70
32	472,0	453,49	201440032	30	34,74						
34	500,0	481,75	201440034	30	39,38						
35	514,0	495,88	201440035	30	41,82	202440035	40	119,69			
36	529,0	510,01	201440036	30	44,32						
38	557,0	538,27	201440038	30	49,55	202440038	40	142,42	203440038	40	236,43
40	585,0	566,54	201440040	30	55,07	202440040	40	158,67	203440040	40	263,52
45	656,0	637,22	201440045	30	70,13	202440045	40	203,10	203440045	40	337,73
50	726,0	707,91	201440050	30	87,01	202440050	40	252,99			
57	825,0	806,90	201440057	40	113,56	202440057	40	332,00	203440057	40	552,76
60	869,0	849,32	201440060	40	126,08						
76	1095,0	1075,62	201440076	40	203,89	202440076	40	600,35	203440076	40	1000,97