

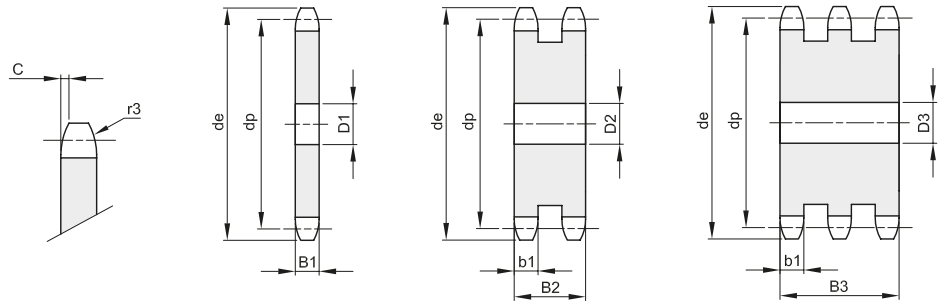


# CORONE PER CATENE A RULLI - DIN 8187 - ISO 606

## PLATE WHEELS FOR ROLLER CHAINS - DIN 8187 - ISO 606

**1"1/2 x 1"**  
**38,1 x 25,4 mm**  
 Rullo 25,4 mm  
**24B - 1 - 2 - 3**

B1	B2	B3	b1	C	r3
24,1	72	120,3	23,6	4	38



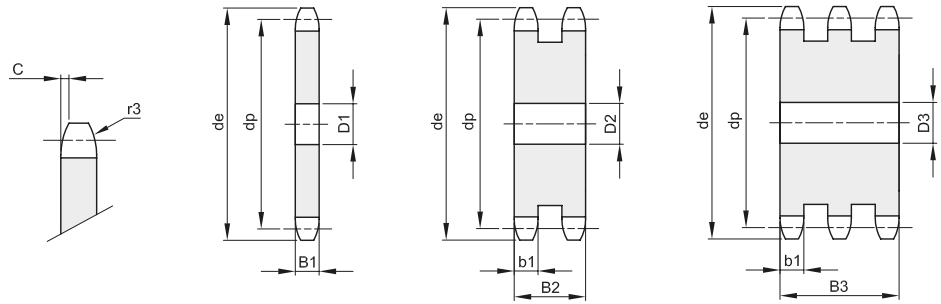
Z	de	dp	semplici			doppi			tripli		
			codice	D1	Kg.	codice	D2	Kg.	codice	D3	Kg.
8	113,0	99,55	201420008	20	1,00	202420008	25	2,31	203420008	25	3,67
9	125,0	111,40	201420009	20	1,32	202420009	25	3,18	203420009	25	5,10
10	137,0	123,29	201420010	20	1,69	202420010	25	4,19	203420010	25	6,75
11	149,0	135,21	201420011	25	2,07	202420011	25	5,33	203420011	30	8,42
12	161,0	147,22	201420012	25	2,53	202420012	25	6,59	203420012	30	10,50
13	173,0	159,18	201420013	25	3,03	202420013	25	7,99	203420013	30	12,81
14	185,0	171,22	201420014	25	3,57	202420014	25	9,52	203420014	30	15,33
15	197,0	183,26	201420015	25	4,16	202420015	25	11,18	203420015	30	18,08
16	209,0	195,30	201420016	25	4,79	202420016	30	12,85	203420016	30	21,04
17	221,0	207,34	201420017	25	5,47	202420017	30	14,77	203420017	30	24,22
18	233,0	219,42	201420018	25	6,19	202420018	30	16,82	203420018	30	27,61
19	245,5	231,49	201420019	25	6,95	202420019	30	19,00	203420019	30	31,23
20	257,5	243,57	201420020	25	7,76	202420020	30	21,31	203420020	30	35,06
21	270,5	255,65	201420021	30	8,57	202420021	30	23,75	203420021	40	38,60
22	282,5	267,73	201420022	30	9,46	202420022	30	26,33	203420022	40	42,87
23	294,5	279,80	201420023	30	10,40	202420023	30	29,03	203420023	40	47,36
24	307,0	291,88	201420024	30	11,38	202420024	30	31,86	203420024	40	52,07
25	319,0	304,00	201420025	30	12,41	202420025	30	34,83	203420025	40	56,99
26	331,0	316,08	201420026	30	13,47	202420026	30	37,93	203420026	40	62,14
27	343,0	328,19	201420027	30	14,59	202420027	30	41,15	203420027	40	67,50
28	355,0	340,27	201420028	30	15,74	202420028	30	44,51	203420028	40	73,08
29	367,5	352,38	201420029	30	16,94	202420029	30	48,00			
30	379,5	364,50	201420030	30	18,91	202420030	30	51,61	203420030	40	84,90
31	391,5	376,62	201420031	30	19,47	202420031	40	55,05			
32	403,5	388,69	201420032	30	20,80	202420032	40	58,93	203420032	40	97,59
33	415,5	400,81	201420033	30	22,18	202420033	40	62,94			
34	428,0	412,93	201420034	30	23,60	202420034	40	67,08			
35	440,0	425,04	201420035	30	25,06	202420035	40	71,35	203420035	40	118,26
36	452,0	437,16	201420036	30	26,60	202420036	40	75,75			
37	464,0	449,27	201420037	30	28,12	202420037	40	80,28			
38	476,5	461,39	201420038	30	29,71	202420038	40	84,95	203420038	40	140,90
40	501,5	485,62	201420040	30	33,03	202420040	40	94,66	203420040	40	158,08
41	513,5	497,74	201420041	30	34,75						
42	525,5	509,85	201420042	30	36,52	202420042	40	104,90			
45	562,0	546,20	201420045	30	42,08	202420045	40	121,24	203420045	40	201,37
46	574,0	558,32	201420046	30	44,03						
48	598,5	582,55	201420048	30	48,04	202420048	40	138,75	203420048	40	230,56
50	622,5	606,78	201420050	30	52,24	202420050	40	151,08	203420050	40	251,11
52	647,0	631,01	201420052	30	56,60						
54	671,0	655,25	201420054	30	61,14						
55	683,5	667,40	201420055	30	63,48						
56	695,5	679,50	201420056	30	65,86						
57	707,5	691,63	201420057	30	68,28	202420057	40	198,34	203420057	40	329,92



**CORONE PER CATENE A RULLI - DIN 8187 - ISO 606**  
**PLATE WHEELS FOR ROLLER CHAINS - DIN 8187 - ISO 606**

**1"1/2 x 1"**  
**38,1 x 25,4 mm**  
**Rullo 25,4 mm**  
**24B - 1 - 2 - 3**

B1	B2	B3	b1	C	r3
24,1	72	120,3	23,6	4	38



Z	de	dp	semplici			doppi			tripli		
			codice	D1	Kg.	codice	D2	Kg.	codice	D3	Kg.
60	745,0	727,97	201420060	30	75,82	202420060	40	220,55	203420060	40	366,97
62	769,0	752,24	201420062	40	80,95						
65	805,5	788,59	201420065	40	89,14	202420065	40	260,19			
70	866,0	849,21	201420070	40	103,77						
76	939,0	921,98	201420076	40	122,54	202420076	40	358,88	203420076	40	597,76
80	987,5	970,44	201420080	40	135,99						
85	1048,0	1031,10	201420085	40	153,79						
95	1169,0	1152,33	201420095	40	192,67	202420095	40	583,00			