

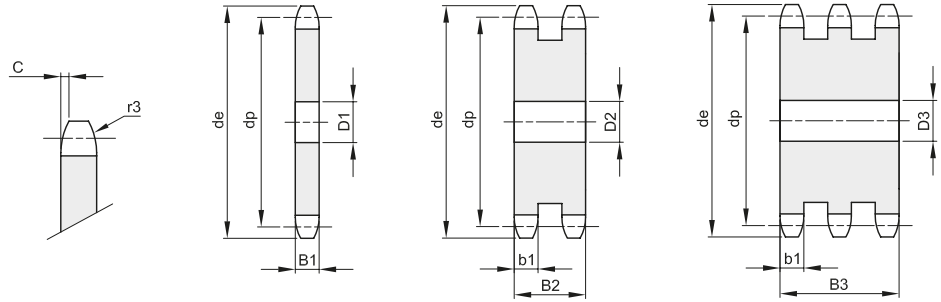


CORONE PER CATENE A RULLI - DIN 8187 - ISO 606

PLATE WHEELS FOR ROLLER CHAINS - DIN 8187 - ISO 606

2" x 1"1/4
50,8 x 30,99 mm
 Rullo 29,21 mm
32B - 1 - 2 - 3

B1	B2	B3	b1	C	r3
29,4	87,4	146	28,8	6	51



Z	de	dp	semplici			doppi			tripli		
			codice	D1	Kg.	codice	D2	Kg.	codice	D3	Kg.
8	152,0	132,74	201460008	25	2,27	202460008	25	5,53	203460008	25	8,83
9	168,0	148,54	201460009	25	2,99	202460009	25	7,46	203460009	25	11,99
10	184,0	164,39	201460010	25	3,81	202460010	25	9,68	203460010	25	15,63
11	200,0	180,31	201460011	30	4,67	202460011	35	11,86	203460011	35	19,20
12	216,0	196,29	201460012	30	5,67	202460012	35	14,64	203460012	35	23,78
13	235,0	212,29	201460013	30	6,77	202460013	35	17,70	203460013	35	28,83
14	251,0	228,29	201460014	30	7,97	202460014	35	21,05	203460014	35	34,35
15	267,0	244,30	201460015	30	9,26	202460015	35	24,68	203460015	35	40,34
16	283,0	260,40	201460016	30	10,64	202460016	40	28,38	203460016	40	46,47
17	299,0	276,46	201460017	30	12,12	202460017	40	32,57	203460017	40	53,40
18	315,0	292,55	201460018	30	13,69	202460018	40	37,05	203460018	40	60,80
19	331,0	308,66	201460019	30	15,36	202460019	40	41,80	203460019	40	68,68
20	347,0	324,71	201460020	40	16,99	202460020	40	46,84	203460020	40	77,02
21	363,0	340,82	201460021	40	18,85	202460021	40	52,15	203460021	40	85,84
22	379,0	356,98	201460022	40	20,80	202460022	40	57,75			
23	396,0	373,08	201460023	40	22,85	202460023	40	63,63	203460023	40	104,88
24	412,0	389,18	201460024	40	24,99	202460024	40	69,80			
25	428,0	405,33	201460025	40	27,23	202460025	40	76,24	203460025	40	125,81
26	444,0	421,44	201460026	40	29,56	202460026	40	82,97			
28	476,0	453,69	201460028	40	34,51	202460028	40	97,27			
30	508,0	486,00	201460030	40	39,84	202460030	40	112,70	203460030	40	186,37
32	541,0	518,27	201460032	40	45,54						
35	589,0	566,71	201460035	40	54,81	202460035	40	156,19	203460035	40	258,69
38	638,0	615,16	201460038	40	64,93	202460038	40	185,67	203460038	40	307,73
40	670,0	647,47	201460040	40	72,16	202460040	40	206,73			
45	751,0	728,24	201460045	40	91,87	202460045	40	265,32	203460045	40	438,64
50	832,0	809,04	201460050	40	113,96	202460050	40	328,95	203460050	40	549,27
57	945,0	922,16	201460057	40	148,86	202460057	40	431,27	203460057	40	716,72
60	993,0	970,65	201460060	40	165,24						
76	1252,0	1229,27	201460076	40	267,00	202460076	40	757,78	203460076	40	1295,64