



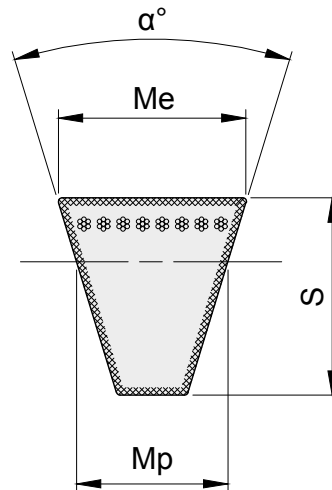
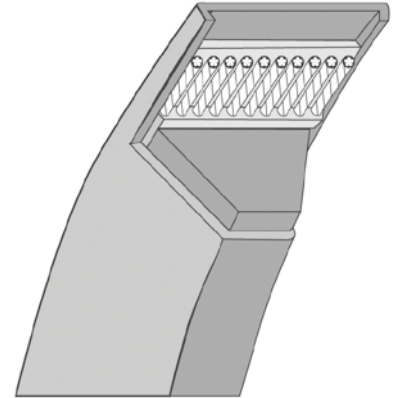
CINGHIE TRAPEZOIDALI A SEZIONE STRETTA CONTINENTAL POWERSPAN® - "CL" NARROW V-BELTS CONTINENTAL POWERSPAN® - "CL"

Proprietà

- › Le cinghie Powerspan a sezione stretta sono costruite secondo le norme DIN 7753
- › Armatura di cavi in poliestere ad allungamento ridotto
- › Rivestimento esterno molto robusto a fianchi ricoperti
- › Resistenza agli oli minerali ed ai climi tropicali
- › Buona elettroconducibilità che permette di evitare normali pericoli elettrostatici
- › Temperatura d'esercizio da -20° a +80°

Properties

- › The Narrow section belts Powerspan are made according to DIN 7753
- › Reinforced polyester cables with reduced elongation
- › Outer covering very robust with side covered
- › Resistance to mineral oils and tropical climates
- › Good electro-conductivity which avoids normal electrostatic hazards
- › Operating temperature from -20° to +80°



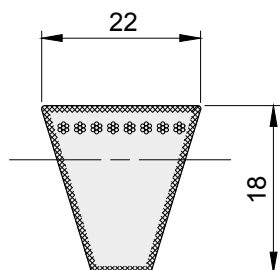
DIMENSIONI CINGHIA
DIMENSIONS OF V-BELT



descrizione	α gradi	Me mm	Mp mm	S mm
SPZ	38°	9,7	8,5	8
SPA	38°	12,7	11,0	10
SPB	38°	16,3	14,0	13
SPC	38°	22,0	19,0	18



CINGHIE TRAPEZOIDALI A SEZIONE STRETTA CONTINENTAL POWERSPAN® - "CL" NARROW V-BELTS CONTINENTAL POWERSPAN® - "CL"



SPC

descrizione	codice	sviluppo mm	Kg.
SPC 2500	CLSPC02500	2500	0,981
SPC 2600	CLSPC02600	2600	1,020
SPC 2650	CLSPC02650	2650	1,040
*SPC 2720	CLSPC02720	2720	1,067
SPC 2800	CLSPC02800	2800	1,099
*SPC 2890	CLSPC02890	2890	1,134
SPC 3000	CLSPC03000	3000	1,177
SPC 3150	CLSPC03150	3150	1,236
SPC 3350	CLSPC03350	3350	1,315
SPC 3550	CLSPC03550	3550	1,393
*SPC 3620	CLSPC03620	3620	1,420
SPC 3750	CLSPC03750	3750	1,472
*SPC 3810	CLSPC03810	3810	1,495
*SPC 3850	CLSPC03850	3850	1,511
SPC 4000	CLSPC04000	4000	1,570
*SPC 4200	CLSPC04200	4200	1,648
SPC 4250	CLSPC04250	4250	1,668
*SPC 4400	CLSPC04400	4400	1,727
SPC 4500	CLSPC04500	4500	1,766
SPC 4750	CLSPC04750	4750	1,864
SPC 5000	CLSPC05000	5000	1,962
SPC 5300	CLSPC05300	5300	2,080
SPC 5600	CLSPC05600	5600	2,197
SPC 6000	CLSPC06000	6000	2,354
SPC 6300	CLSPC06300	6300	2,472
*SPC 6500	CLSPC06500	6500	2,551
SPC 6700	CLSPC06700	6700	2,629
SPC 7100	CLSPC07100	7100	2,786
SPC 7500	CLSPC07500	7500	2,943
SPC 8000	CLSPC08000	8000	3,139
*SPC 8400	CLSPC08400	8400	3,296
SPC 8500	CLSPC08500	8500	3,335
*SPC 9000	CLSPC09000	9000	3,532
*SPC 9500	CLSPC09500	9500	3,728
*SPC 10000	CLSPC10000	10000	3,924
*SPC 10600	CLSPC10600	10600	4,159
*SPC 11200	CLSPC11200	11200	4,395

* Fornita su richiesta / Supplied on request