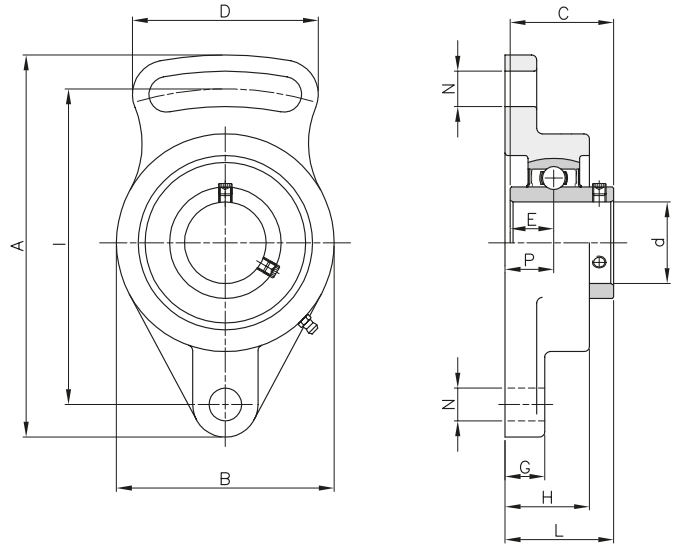




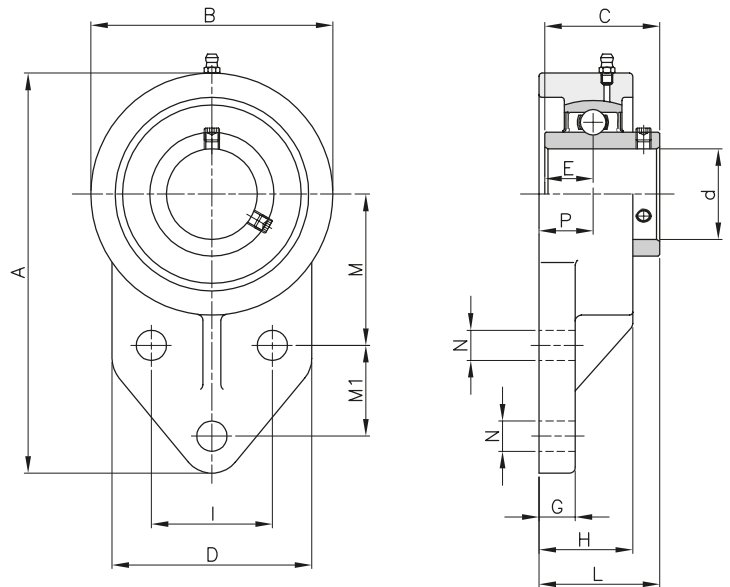
SUPPORTI PER CUSCINETTI IN GHISA BALL FLANGE BEARING IN CAST IRON

SUPPORTI IN GHISA "B-UCFA"



| descrizione | codice | d mm | dimensioni (mm) | | | | | | | | | | | Kg. |
|-------------|----------|---------|-----------------|-----|----|----|------|----|-----|------|----|------|------|------|
| | | | A | I | P | G | H | N | B | L | D | C | E | |
| B-UCFA204 | BUCFA204 | 20 | 98 | 78 | 15 | 12 | 25,5 | 10 | 60 | 33,3 | 50 | 31 | 12,7 | 0,46 |
| B-UCFA205 | BUCFA205 | 25 | 124 | 98 | 16 | 14 | 27 | 13 | 70 | 36,8 | 65 | 34,1 | 14,3 | 0,66 |
| B-UCFA206 | BUCFA206 | 30 | 141 | 115 | 18 | 14 | 31 | 13 | 83 | 40,2 | 72 | 38,1 | 15,9 | 0,93 |
| B-UCFA207 | BUCFA207 | 35 | 155 | 128 | 19 | 16 | 34 | 15 | 96 | 44,4 | 82 | 42,9 | 17,5 | 1,46 |
| B-UCFA208 | BUCFA208 | 40 | 171 | 142 | 21 | 16 | 38 | 15 | 105 | 51,2 | 87 | 49,2 | 19 | 1,78 |
| B-UCFA209 | BUCFA209 | 45 | 179 | 146 | 22 | 18 | 40 | 17 | 111 | 52,2 | 90 | 49,2 | 19 | 2,03 |
| B-UCFA210 | BUCFA210 | 50 | 189 | 155 | 22 | 18 | 40 | 17 | 116 | 54,6 | 94 | 51,6 | 19 | 2,23 |

SUPPORTI IN GHISA "B-UCFB"



| descrizione | codice | d mm | dimensioni (mm) | | | | | | | | | | | Kg. | | |
|-------------|----------|---------|-----------------|-----|----|------|----|----|----|----|----|----|------|------|------|------|
| | | | A | B | D | H | N | G | M | M1 | I | P | L | | C | E |
| B-UCFB204 | BUCFB204 | 20 | 110 | 62 | 52 | 25,5 | 10 | 13 | 42 | 27 | 32 | 15 | 33,3 | 31 | 12,7 | 0,54 |
| B-UCFB205 | BUCFB205 | 25 | 116 | 68 | 56 | 27 | 10 | 13 | 45 | 27 | 34 | 16 | 35,8 | 34,1 | 14,3 | 0,79 |
| B-UCFB206 | BUCFB206 | 30 | 130 | 78 | 65 | 31 | 10 | 13 | 50 | 29 | 40 | 18 | 40,2 | 38,1 | 15,9 | 0,95 |
| B-UCFB207 | BUCFB207 | 35 | 144 | 90 | 70 | 34 | 10 | 15 | 55 | 32 | 46 | 19 | 44,4 | 42,9 | 17,5 | 1,29 |
| B-UCFB208 | BUCFB208 | 40 | 164 | 100 | 78 | 36 | 12 | 16 | 60 | 41 | 50 | 21 | 51,2 | 49,2 | 19 | 1,78 |
| B-UCFB209 | BUCFB209 | 45 | 174 | 106 | 80 | 38 | 12 | 18 | 65 | 43 | 54 | 22 | 52,2 | 49,2 | 19 | 1,91 |
| B-UCFB210 | BUCFB210 | 50 | 184 | 112 | 86 | 40 | 12 | 18 | 68 | 46 | 58 | 22 | 54,6 | 51,6 | 19 | 2,36 |