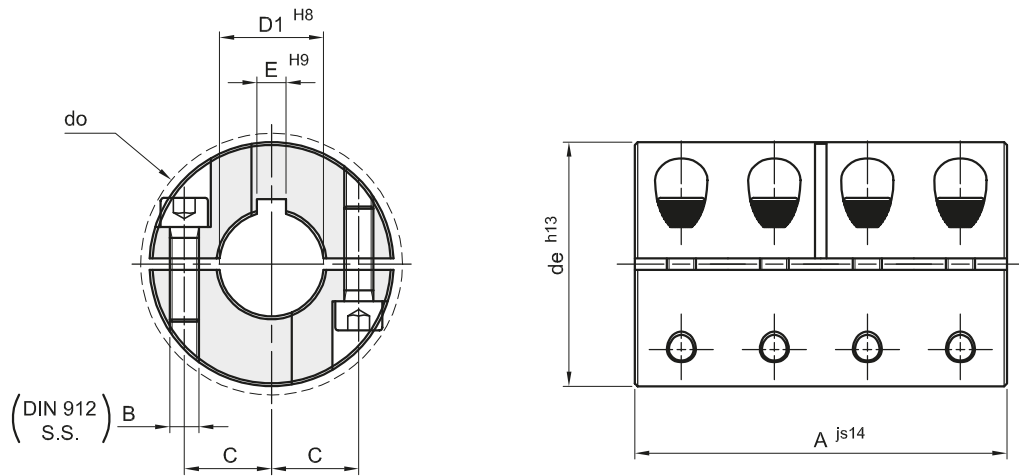




GIUNTI RIGIDI A DUE SEZIONI CON CHIAVETTA - INOX

RIGID COUPLING TWO SPLIT BORE AND KEYWAY - STAINLESS STEEL



Materiale: INOX AISI 304

descrizione	codice	D1 mm	de mm	do mm	A mm	B mm	C mm	E mm	Kg.
GBRR 6	SSGBRR006	6	18	21,5	30	M3 x 8	5,9	2	0,047
GBRR 8	SSGBRR008	8	24	27,1	35	M3 x 10	9,0	2	0,102
GBRR 10	SSGBRR010	10	29	33,0	45	M4 x 12	10,6	3	0,185
GBRR 12	SSGBRR012	12	29	33,0	45	M4 x 12	10,6	4	0,180
GBRR 14	SSGBRR014	14	34	39,4	50	M5 x 16	12,0	5	0,272
GBRR 15	SSGBRR015	15	34	39,4	50	M5 x 16	12,0	5	0,266
GBRR 16	SSGBRR016	16	34	39,4	50	M5 x 16	12,0	5	0,261
GBRR 20	SSGBRR020	20	42	48,9	65	M6 x 16	15,4	6	0,518
GBRR 25	SSGBRR025	25	45	51,5	75	M6 x 16	16,9	8	0,623
GBRR 30	SSGBRR030	30	53	58,7	83	M6 x 18	20,9	8	0,920
GBRR 35	SSGBRR035	35	67	74,7	95	M8 x 25	26,7	10	1,880
GBRR 40	SSGBRR040	40	77	84,0	108	M8 x 25	31,8	12	2,710
GBRR 50	SSGBRR050	50	85	94,2	124	M10 x 25	34,1	14	3,520